



# POINTLUX IC

## LOCKING ROTATION

FOR GYPSUM BOARD CEILINGS

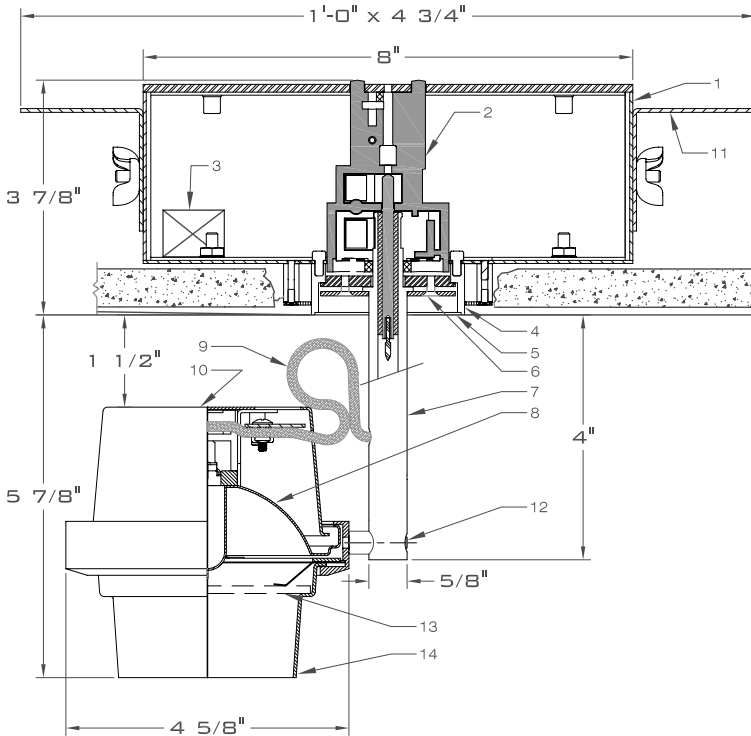
The POINTLUX IC Locking Rotation is a fully adjustable semi-recessed series of stemmed luminaires. The fixture utilizes either an MR16 or AR111 halogen lamp. POINTLUX IC fixtures can be used as accent lights or to highlight objects. Fixture design allows for interchangeability of any fixture profile in the POINTLUX IC family into the same housing. Closed ceiling cover plate can be used in place of a fixture.

Enclosed MRLUX and AR111 profiles have a machined ring and enclosed back cap design. All MR16 profiles are offered with either wallwash or object front end snoots. Object front end snoots have a step to accommodate additional accessories. For the Basic MRLUX the Ushio Reflektro MR16 lamp is recommended to reduce back spill.

### FEATURES:

- 45° tilt adjustment
- New stem design with lockable 360° rotation
- Several profile and application options
- Lamping options: 50W Max AR111 or MR16
- Various lensing and accessory options
- Ceiling cover plate has no visible fasteners
- Flangeless gypsum ceiling installation, ceiling cover plate sits flush with ceiling plane
- IC-rated luminaire

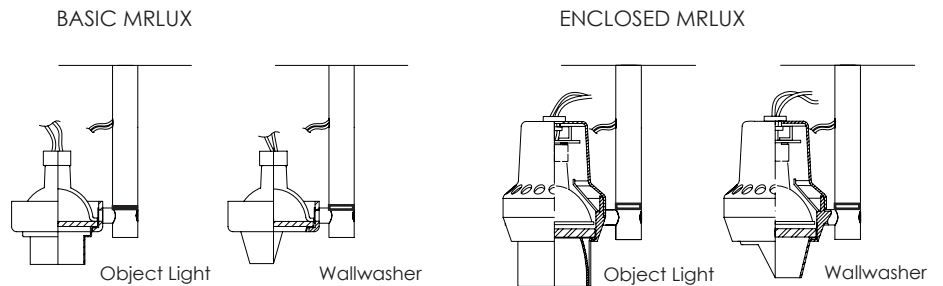
POINTLUX IC is NRTL (Nationally Recognized Testing Laboratory) certified for purposes of OSHA safety standards product-approval requirements.



### NOTES:

1. 18 GA steel housing
2. Core insert with contacts
3. Transformer
4. Plastering collar
5. 360° tool locking rotation
6. Ceiling cover plate
7. Fixture stem
8. Lamp, AR111
9. Teflon insulated conductors
10. Luminaire back cap
11. Adjustable mounting angles with vertical slots
12. 45° tool locking tilt
13. Accessory / Lens location
14. Shielding snoot

### MR16 PROFILE and APPLICATION OPTIONS:



### ORDERING MATRIX: PNTLX-LR-G- \_ \_ \_ - \_ \_ \_ \_ \_

Profile / Application	Voltage	Exterior Finish	Interior Object Front Finish	Lens	Lens Coating	Additional Accessories
<b>AO</b> AR111 Object front	<b>120</b> 120/12V	<b>WH</b> White	<b>C</b> Clear (EO only)	<b>CL</b> Clear	<b>NC</b> No Coating	<b>N</b> None
<b>EO</b> Enclosed Object front	<b>277</b> 277/12V	<b>BL</b> Black	<b>P</b> Pewter(EO only)	<b>SO</b> Solite	<b>DC</b> Nulux Diffusion Coating	<b>HC</b> Hex Cell Louver
<b>EW</b> Enclosed Wallwash front		<b>SL</b> Silver	<b>G</b> Gold (EO only)	<b>SD</b> Stippled (MR16 only)	<b>UV</b> UV Coating	<b>LR5</b> 50% Light Reduction Screen
<b>BO</b> Basic Object front		<b>CE</b> Custom	<b>B</b> Black	<b>LS5</b> Linear Spread 55°		<b>CUV</b> Clear UV Lens
<b>BW</b> Basic Wallwash front			<b>W</b> White	<b>LS7</b> Linear Spread 75°		<b>CCP</b> Closed Ceiling Cover Plate
			<b>CC</b> Custom	<b>WW</b> Wallwash 55/75°		<b>O</b> Other

Contact NULUX directly to specify custom products and for Standard and Custom lead times

06/29/12