

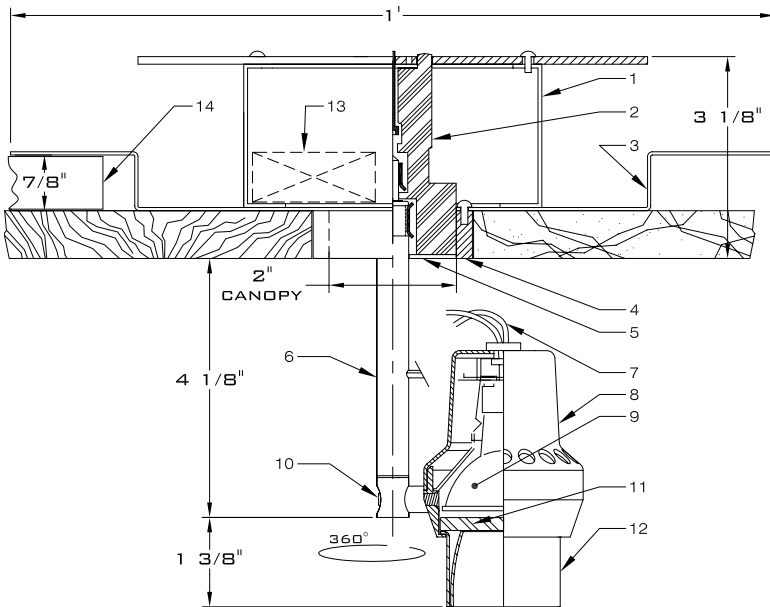


POINTLUX

ADJUSTABLE LUMINAIRE

FOR WOOD OR STONE CEILINGS

POINTLUX is a fully adjustable semi-recessed series of stemmed luminaires. The fixture series utilizes MR16 halogen lamps. POINTLUX fixtures can be used as accent lights or to highlight objects. Fixture design allows for interchangeability of any fixture profile in the POINTLUX family into the same housing. Closed ceiling cover plate can be used in place of a fixture.



Enclosed MRLUX profile has a machined ring and enclosed back cap design. All MR16 profiles are offered with either wallwash or object front end snoots. Object front end snoots have a step to accommodate additional accessories. For the Basic MRLUX the Ushio Refleko MR16 lamp is recommended to reduce back spill.

FEATURES:

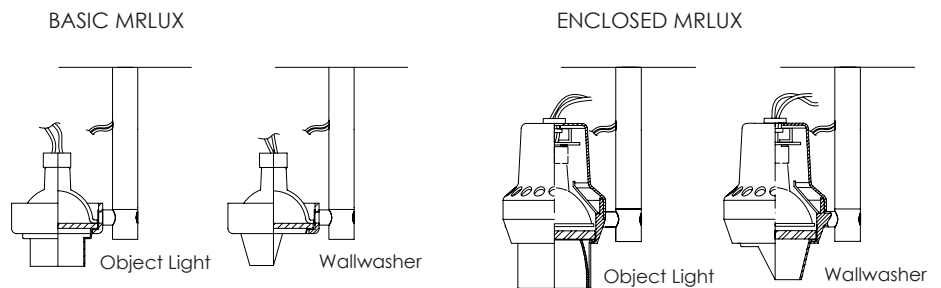
- 45° lockable tilt adjustment from vertical
- Stem has 360° rotation
- Several profile and application options
- Lamping options: 50W Max MR16
- Various lensing and accessory options
- Ceiling cover plate has no visible fasteners
- Flangeless ceiling installation, ceiling cover plate sits flush with ceiling plane
- Non-IC thermally protected luminaire

The POINTLUX series is NRTL (Nationally Recognized Testing Laboratory) certified for purposes of OSHA safety standards product-approval requirements.

NOTES:

1. 18 GA steel housing
2. Core insert with contacts
3. Mounting base
4. Plastering collar
5. Ceiling cover plate
6. Fixture stem
7. Wire leads
8. Luminaire back cap
9. 12V MR16 lamp, 50W Max (by others)
10. 45° tool locking tilt
11. Accessory / Lens location
12. Shielding snoot
13. Transformer
14. Chicago bar support (by others)

PROFILE and APPLICATION OPTIONS:



ORDERING MATRIX: PNTLX-W- - - - -

Profile / Application	Voltage	Exterior Finish	Interior Object Front Finish	Lens	Lens Coating	Additional Accessories
EO Enclosed Object front	120 120/12V	WH White	C Clear (EO only)	CL Clear	NC No Coating	N None
EW Enclosed Wallwash front		BL Black	P Pewter (EO only)	SO Solite	DC Nulux Diffusion Coating	HC Hex Cell Louver
BO Basic Object front		SL Silver	G Gold (EO only)	SD Stippled (MR16 only)	UV UV Coating	LR5 50% Light Reduction Screen
BW Basic Wallwash front		CE Custom	B Black	LS5 Linear Spread 55°		CUV Clear UV Lens
			W White	LS7 Linear Spread 75°		CCP Closed Ceiling Cover Plate
			CC Custom	WW Wallwash 55/75°		O Other

Contact NULUX directly to specify custom products and for Standard and Custom lead times

07/09/12